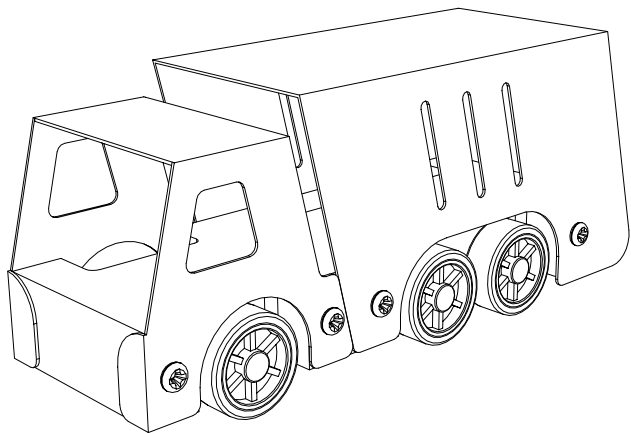


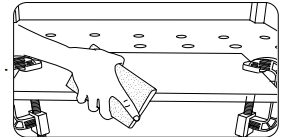
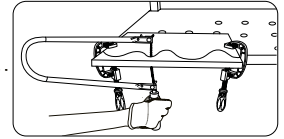
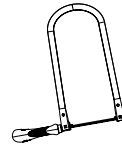
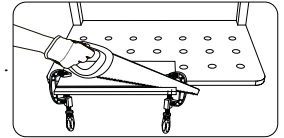
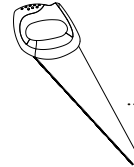
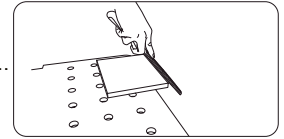
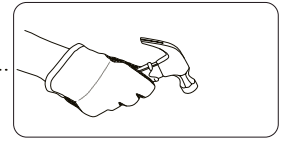
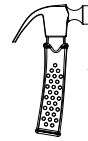
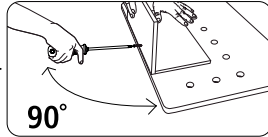
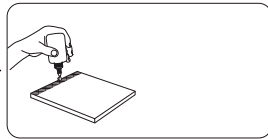
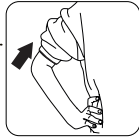
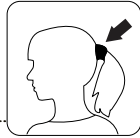
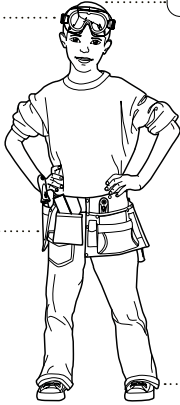
# STANLEY® Jr.



**5+**

**Recycling Truck Kit**

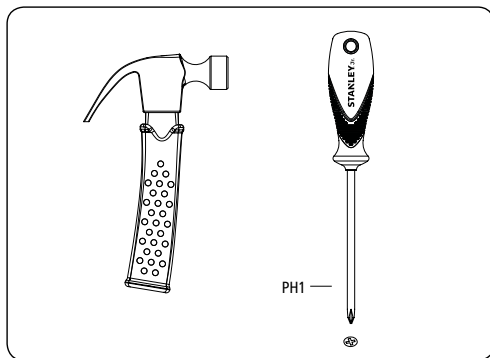
ASSEMBLY INSTRUCTIONS



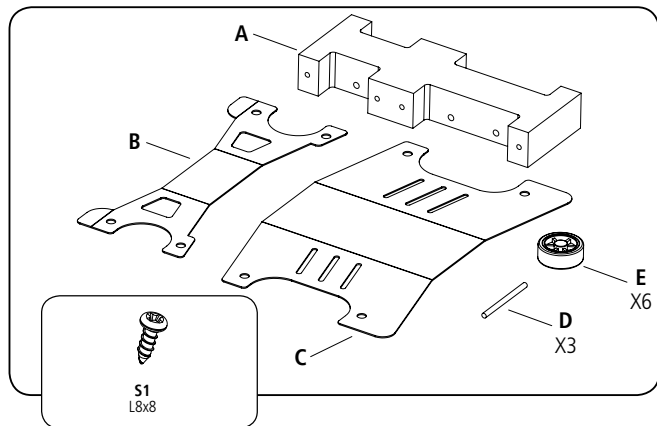
Parental guidance and direct supervision required at all times.

# ASSEMBLY INSTRUCTIONS

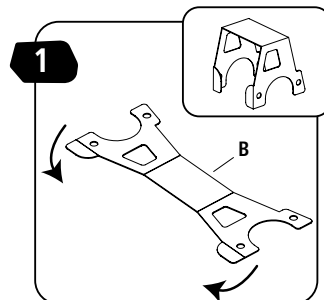
30min



PH1

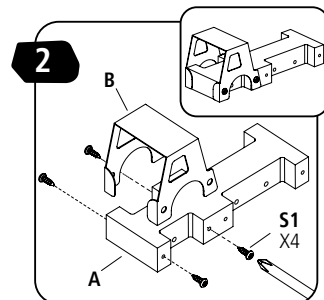


S1  
L8x8



1

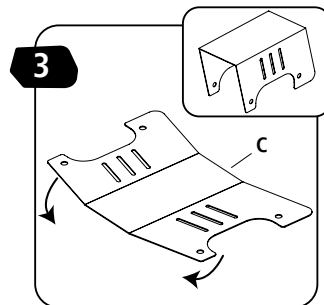
B



2

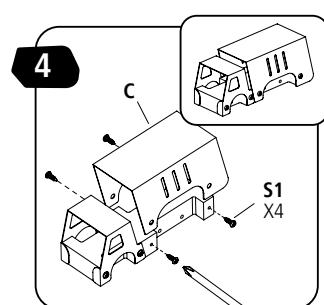
B

S1  
X4



3

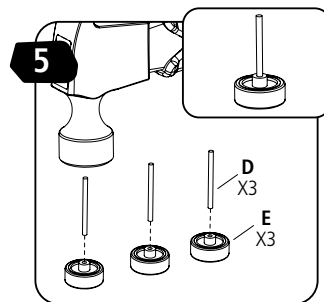
C



4

C

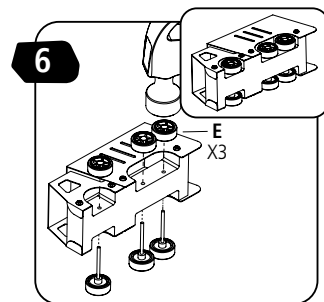
S1  
X4



5

D  
X3

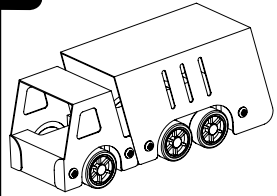
E  
X3



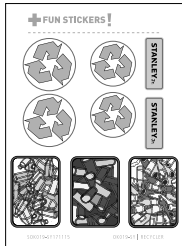
6

E  
X3

7



8



# STANLEY® Jr.

©2016 Stanley Black & Decker, Inc.  
The STANLEY Jr. and STANLEY Jr. logo are trademarks of Stanley Black & Decker, Inc. or an affiliate thereof and are used under license.

**Products are manufactured by:**

Red Tool Box Ltd.  
4th Floor, #1 Building  
655-77 Qiming Road  
Investment & Business  
Incubation Center, Yinzhou, Ningbo  
315055, Zhejiang, China



**WARNING: CHOKING HAZARD**—Small parts.  
Not for children under 3 years.



**CAUTION: FUNCTIONAL SHARP POINTS AND EDGES.**  
Use with care. Adult Supervision Recommended.

