

STANLEY

STANLEY TOOLS

A Division of The Stanley Works

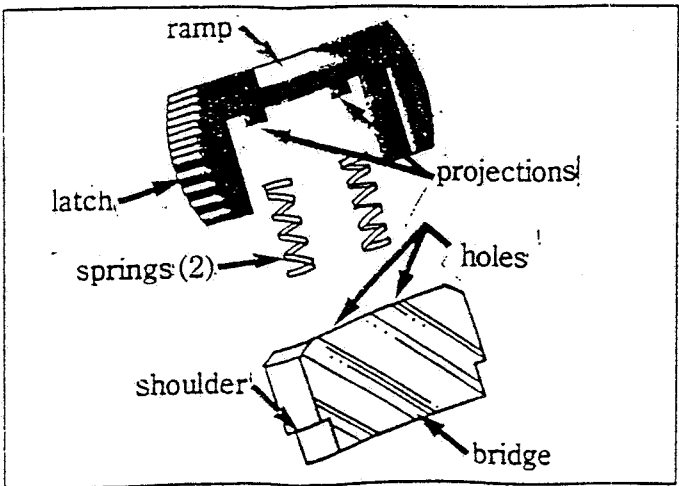
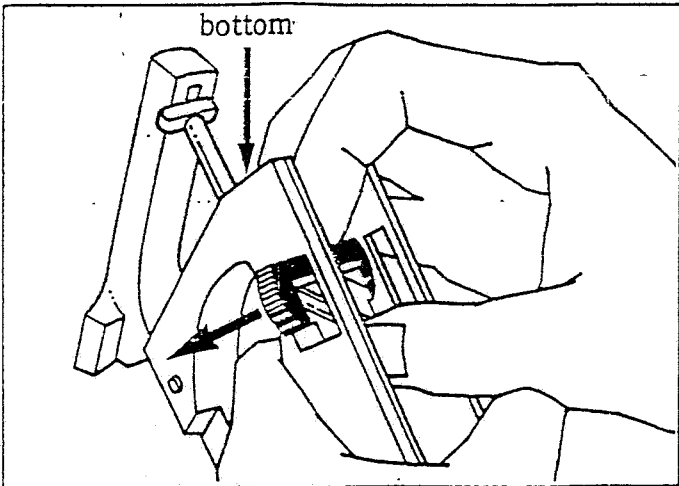
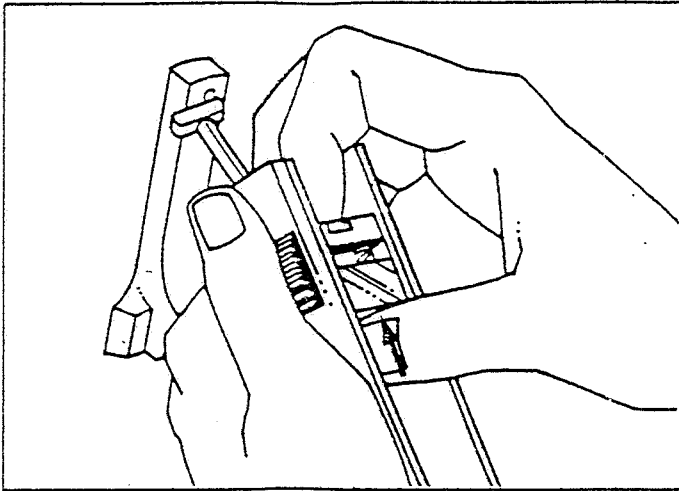
REPAIR PARTS DEPARTMENT

600 Myrtle Street, New Britain, Connecticut 06053 • (800) 262-2161

High Tension Hacksaw

15-113

Replacement Latch Instructions



TO REMOVE OLD LATCH:

1. Compress (2) springs by pushing bridge towards bottom of handle.
2. Pass compressed sub-assembly sideways thru handle opening. *Note plastic latch, springs metal bridge are all removed as a sub-assembly.*
3. Replace latch with ramp side *up*. (Holes in bidge and projections on latch must line up.)

TO INSTALL NEW SUB-ASSEMBLY:

1. Compress (2) springs by squeezing the latch and bridge together.
2. Pass compressed assembly thru handle side opening with ramp *up* and towards bottom of saw handle.
3. Allow sub-assembly to expand so that bridge wedges between handle sides. Shoulders on bridge must bottom in handle opening. *Some pressure may be necessary to seat bridge properly.*