

STANLEY[®]

SharpShooter[®]

0-TR45 Staple Gun Bonus Pack

Includes 2 bonus packs of 1000 light duty staples
1 X 8mm, 1 X 10mm

The 0-TR45 Staple Gun Features:

- ▶ Lock down for storage takes up less room in toolbox
- ▶ Easy access staple insertion for faster loading

SAFETY INSTRUCTIONS:

- ▶ Keep out of the reach of children.
- ▶ Wear safety glasses when operation tacker.
- ▶ Know what materials you are stapling. Watch out for potential hazards such as electrical wires.
- ▶ Do not over reach so as to cause loss of balance or loss of secure footing.

NOTE! DO NOT ATTEMPT TO DISASSEMBLE/REASSEMBLE THIS TOOL. REPLACEMENT PARTS ARE NOT AVAILABLE.

To Operate:

Place staple exit area where staple is to be driven. Grasp tacker with fingers through opening and depress handle until mechanism releases and drives staple. For best results, hold staple gun so downward pressure keeps exit area firmly against material being stapled.

To Lock Handle Down for Storage:

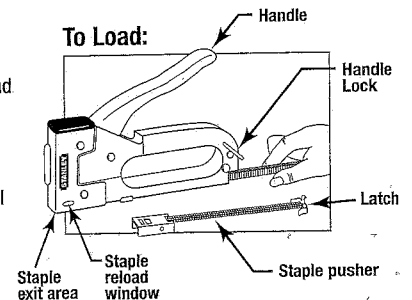
Be sure staple gun is unloaded. Hold handle down and engage handle lock over the rear of the handle.

WARNING:

Tool operator and others in work area should always wear safety glasses to prevent serious eye injury from fasteners and flying debris when loading, operating or unloading this tool. remove staple pusher before using the jam-clear feature to prevent staples from springing out of staple channel and to minimise the possibility of eye injury.

Loading:

1. Remove staple pusher by pushing in and pulling down latch.
2. Insert a stick of staples into the rear of stapler with points facing down.
3. Insert staple pusher into the rear of tool and close latch.



6mm (1/4")
8mm (5/16")
10mm (3/8")

Use Stanley Light duty SharpShooter[®] 0-TRA200 Series, Type 53 or A type staples

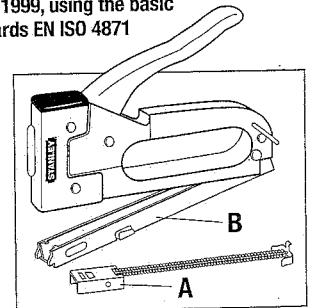
To Clear Staple Channel:

1. Remove staple pusher (A)
2. Grasp the two wings, then push staple channel (B) slightly backwards and draw it down for complete clearing.

NOISE EMITTED:

DECLARED SINGLENUMBER NOISE EMISSION VALUES (in accordance with ISO 4871) A-weighted sound power level, LWAD, in decibels 92dBa. A-weighted emission sound pressure level, LdAd at operators position, in decibels 83 dBa.

Values determined according to moire test code given in EN 12549:1999, using the basic standards EN ISO 4871



Maintenance Instructions:

Keep tool clean, dry and rust free
No maintenance is required.



Wear safety goggles

© 2006 Stanley Europe
Egide Walschaertstraat 14-16
2800 Mechelen, Belgium
<http://www.stanleyworks.com>

