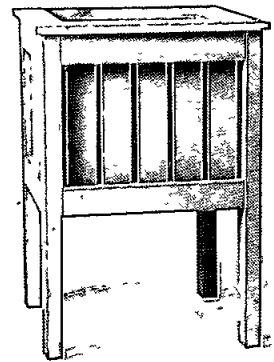


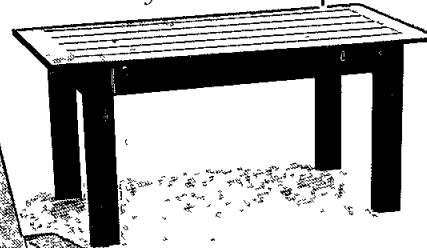
Litchfield loveseat



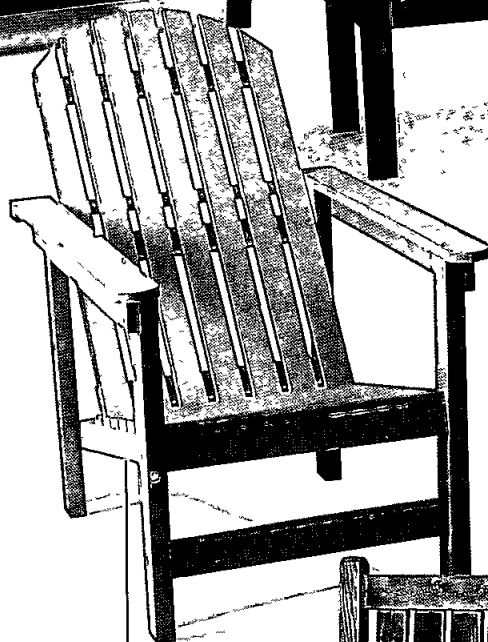
Galway bench/table



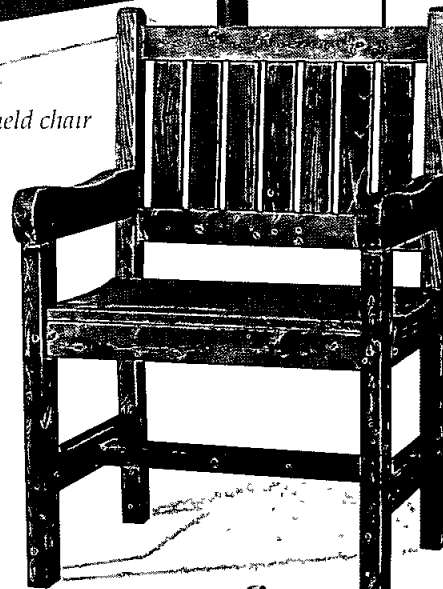
Litchfield planter box



Litchfield bench/table



Litchfield chair



Galway chair

The Litchfield and the Galway lawn furniture.

Relax. This specially designed outdoor furniture is easy to build yourself. Easy to look at. Easy to enjoy for years.

You'll find Stanley plans and drawings, tucked inside, with "how-to's" for the Litchfield furniture, which is quite easy to build. And for the Galway furniture, which takes somewhat more skill to construct.

One special feature of the Litchfield chair and loveseat, you'll notice, is that the backrests are removable. This makes them easier to store since they take less space. When the backrests are in place, of course, they offer solid "we're-not-going-anywhere" comfort.

All the wood you'll need to build these projects is listed in these plans, as are the Stanley tools and Stanley hardware. Go to it. Have fun!

The Stanley gazebo: a beautiful retreat.

Build it yourself, this place to get away from it all. Or for the kids to play in some rainy day. Or the spot you'll enjoy for family cookouts and entertaining - day or evening. And what a nice architectural accent for your yard!

Constructing this gazebo gives you a chance to show off your skills at rough framing and finish carpentry. A touch of cabinetwork, roofing and painting are also called for.

Sure, the gazebo's a sizeable undertaking. Besides real woodworking savvy, it calls for some extra help to assemble it. But the instructions, enclosed here, do show you how to build it step by step. Then all you need are tools and hardware from Stanley, The Do-It-Yourself Company.



6-sided, 8-foot diameter, 70 square foot Gazebo

Galway loveseat



Planter

STANLEY[®]

Materials

Part	Size*	No. Required
A leg	2 x 3 27"	4
B side stretcher	2 x 3 16½"	4
C end stretcher	2 x 3 15"	4
D side frame top	1 x 3 19"	2
E end frame top	1 x 3 14"	2
F decorative slat	1 x 3 10"	18
G bottom cleat side	1 x 1 14"	2
H bottom cleat end	1 x 1 12½"	2
plywood ½" CDX (for exterior use)		
I inside wall	15" x 15"	2
J inside wall	14" x 15"	2
K bottom	14" x 14"	1

*Note These are nominal measurements. A 2 x 3 is actually 1½ x 2½, a 1 x 3 is actually ¾ x 2½, and a 1 x 1 is actually ¾ x ¾.

Tools

Mallet
Chisel
Try square
Crosscut saw
Cordless drill or bit & brace
Power bore bits
Screw Mate[®] for #8 screws
Cordless or regular screwdriver
Block plane
Framing square
Surform[®] tool or wood file
Claw hammer
Coping saw
Tape measure
Mitre box

Hardware

1¼" #8 galvanized screws
3" #8 galvanized screws
10d galvanized finish nails
Waterproof glue

Directions

Cut four (4) 27" legs from 2 x 3 stock

Cut four (4) 16½" stretchers from 2 x 3

Cut four (4) 15" stretchers from 2 x 3

Use the same construction method for the planter base as used for the base of the table. See details #1, 2 and 3 of table base

Measure down 15" from top for bottom frame of planter base (See Drawing #1)

Cut two (2) 15" x 15" and two (2) 14" x 15" pieces from ½" CDX exterior plywood (See Drawings #2 and 3.)

Attach the plywood, good side out, to fit inside the frame with 1" #8 screws from the inside out. Two screws per end about 1"

Cut two (2) 14" and two (2) 12½" cleats from 1 x 1 stock.

Attach the cleats flush with the bottom edge of the bottom of the frame with 1¼" #8 screws. Three on each side

Cut a 14" x 14" piece of plywood for the inside planter bottom. Drill three ¾" holes spaced about 1" apart in the center for drainage. This piece is not permanently attached, it just rests on the cleats

Cut eighteen (18) decorative 10" slats from 1 x 3.

These slats are set evenly on the sides (five on the 16½" sides and four on the 15" sides), glued and attached with two 1¼" #8 screws for each slat from the inside of the plywood box into back of slat. Screws are set 1" from top and 1" from bottom

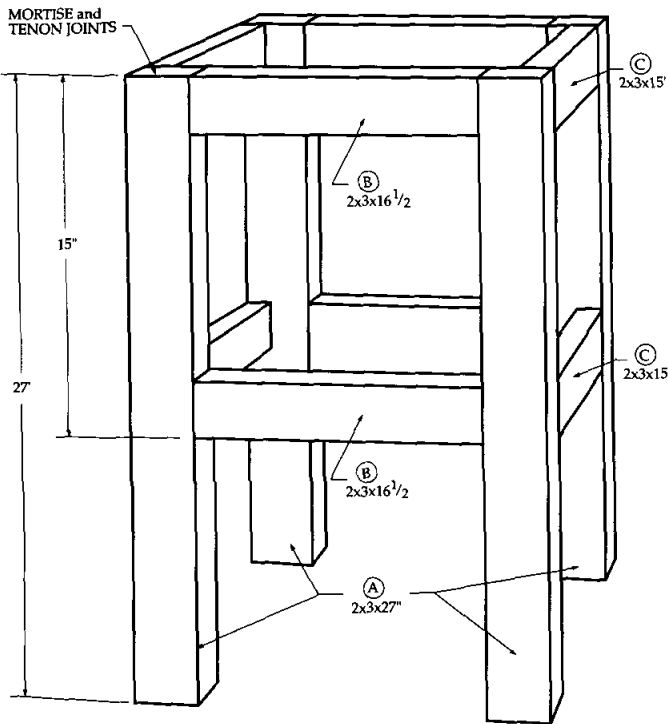
Cut two (2) pieces 19" long from 1 x 3

Cut two (2) pieces 14" long from 1 x 3. These will make up the top frame for the planter

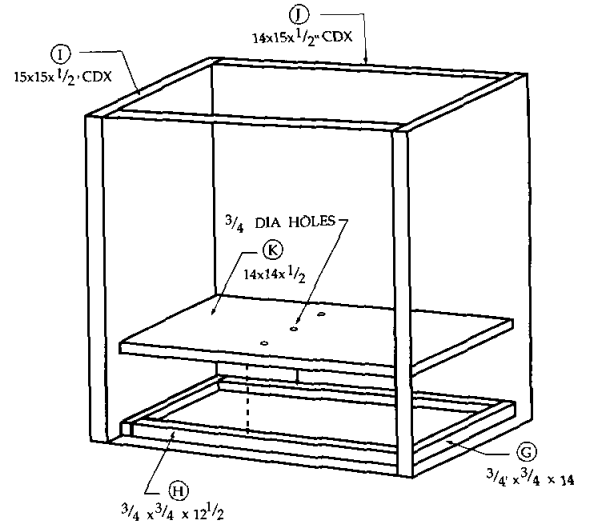
Line up and butt joint these four pieces so they make a square. Inside edge of the frame lines up with inside edge of planter box

Attach frame pieces to top of planter with ten penny nails and glue

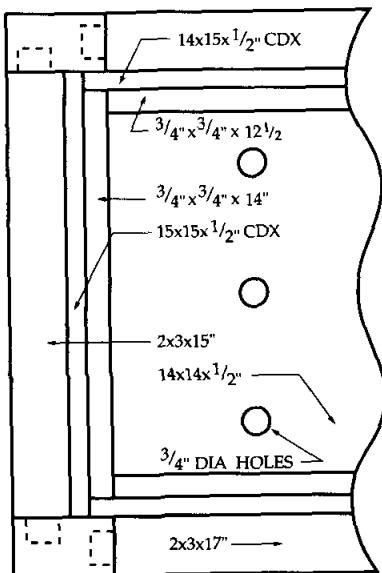
DRAWING 1



DRAWING 2
INSIDE BOX FRAME



DRAWING 3
UNDERNEATH VIEW



DRAWING 4

