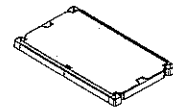
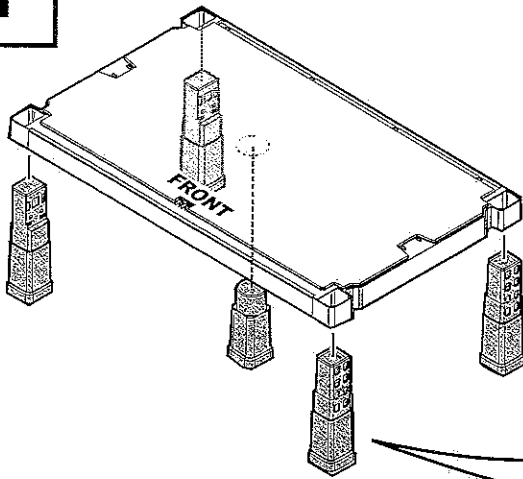


1



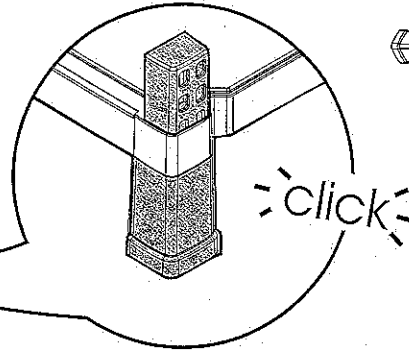
BT18 x1



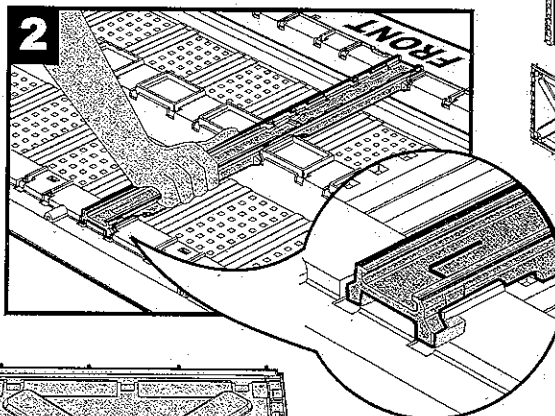
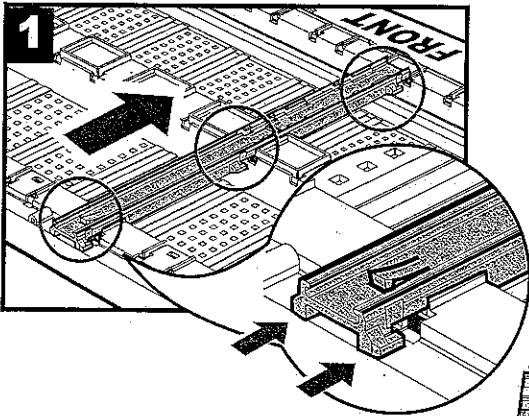
LGM x1



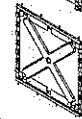
LG x4



2



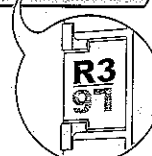
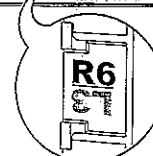
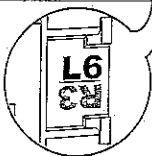
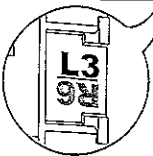
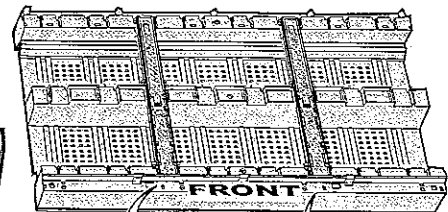
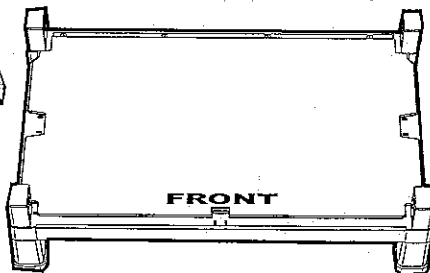
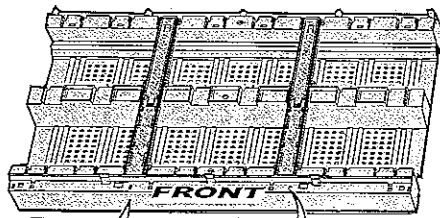
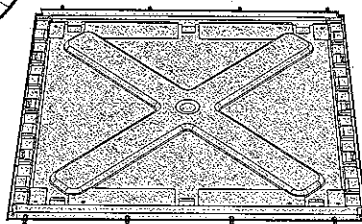
SD18 x2

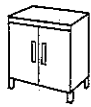


BK x1

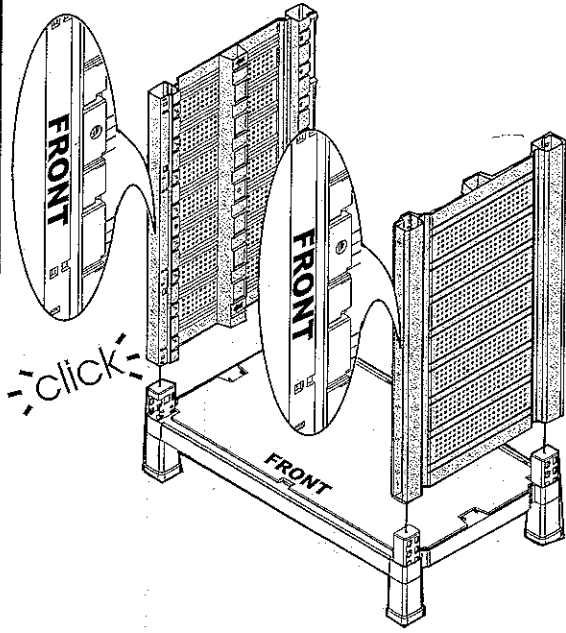


SL18 x4

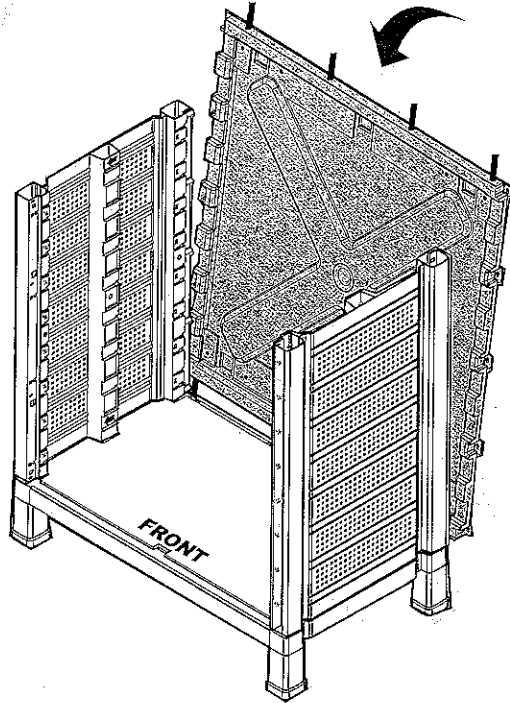




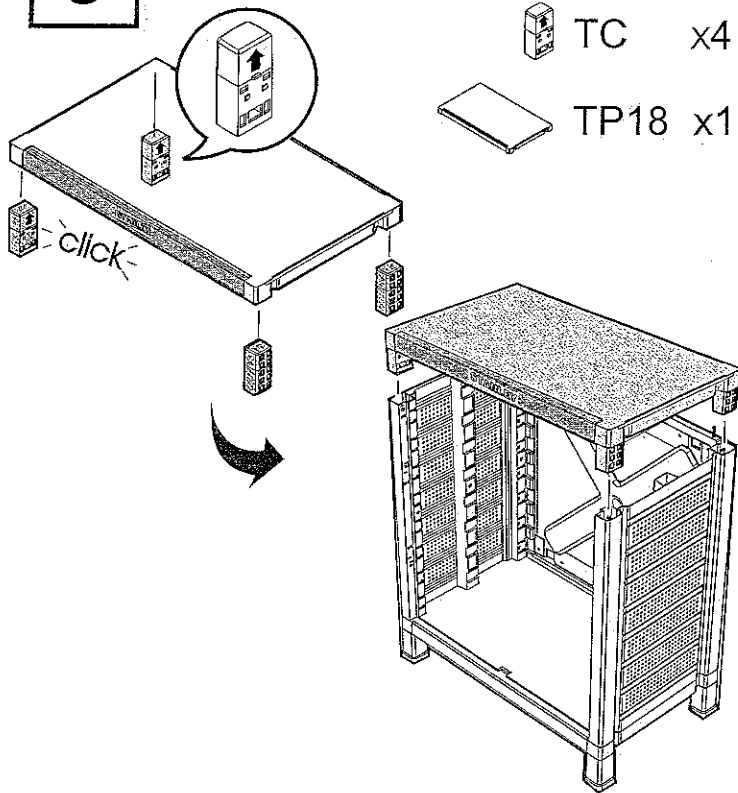
3



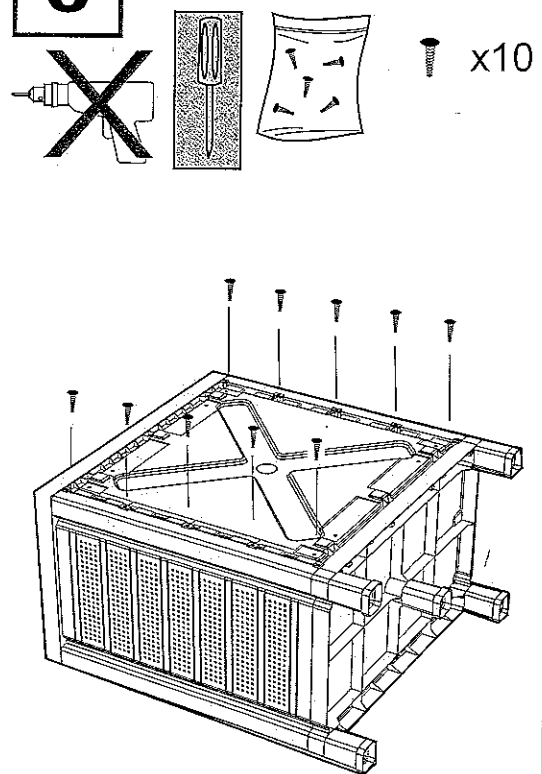
4

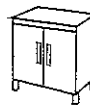


5

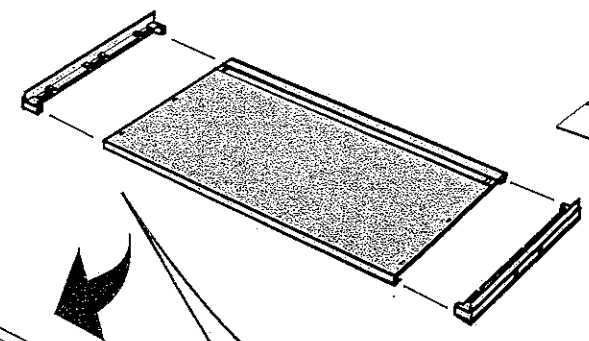
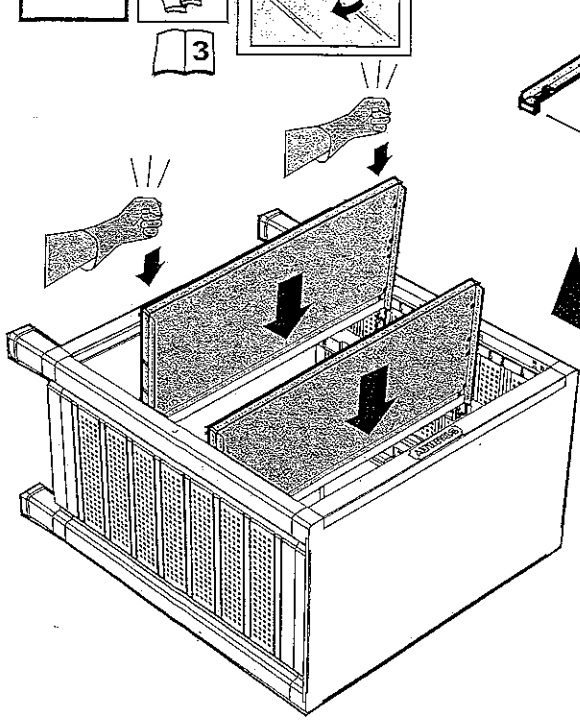
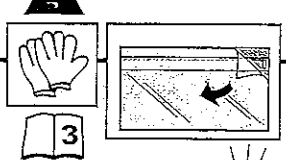


6

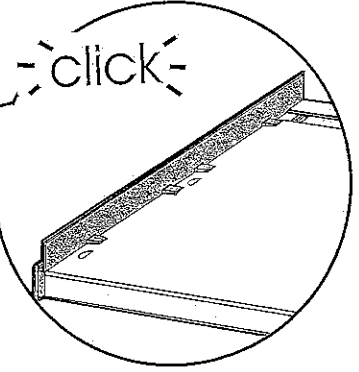




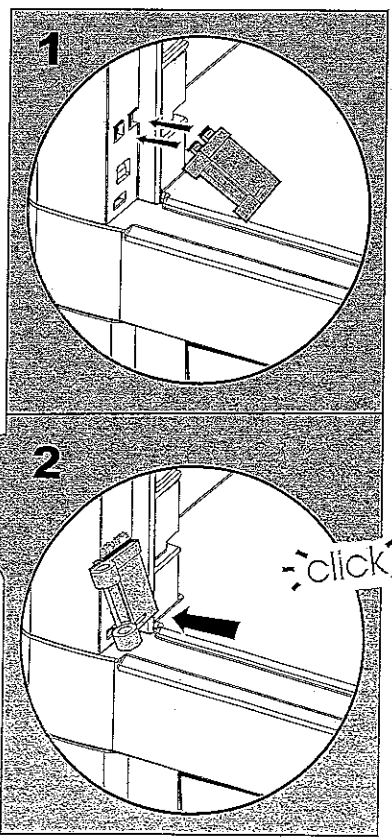
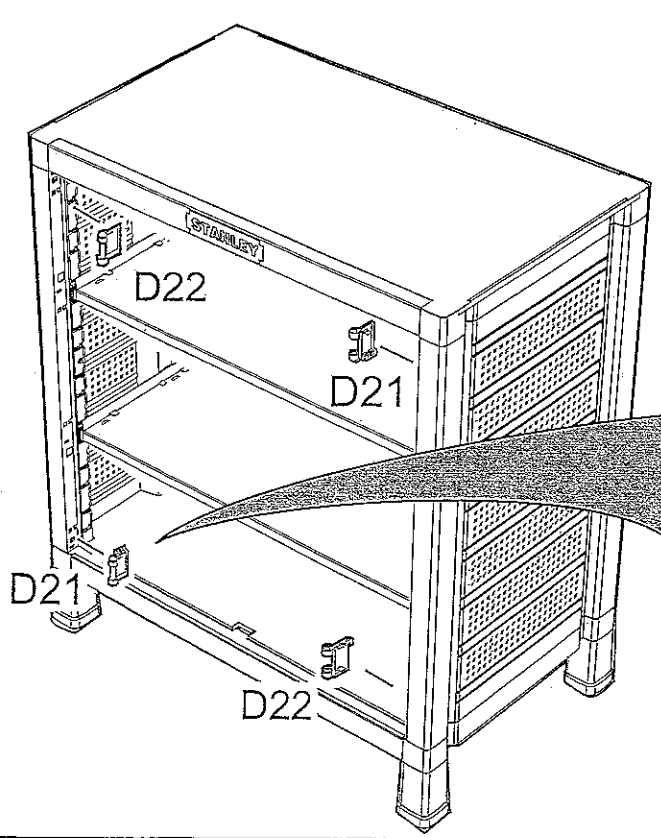
7



- SA18 x4
- SH18 x2

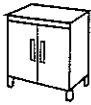


8



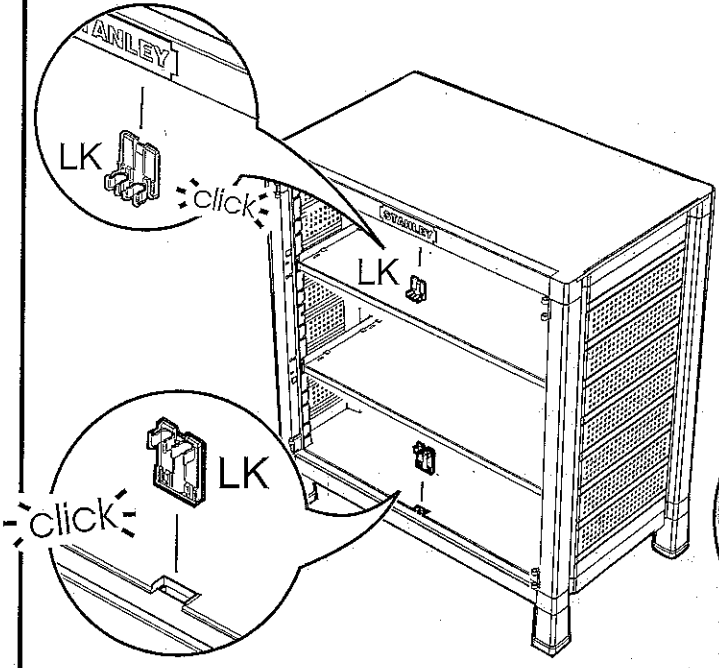
- D21 x2
- D22 x2

© 2005 Stanley Power Tools, Inc. All rights reserved. Stanley, the Stanley logo, and the Stanley logo with a star are registered trademarks of Stanley Power Tools, Inc. in the United States and other countries. All other trademarks are the property of their respective owners.

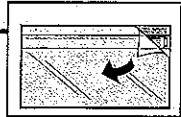
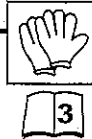


9

LK x2



10

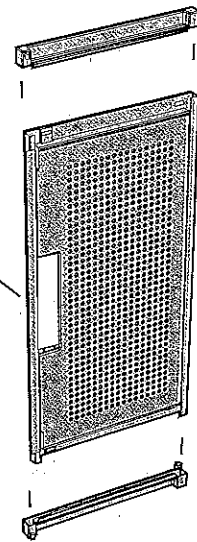
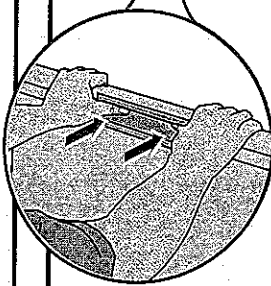


2x H

D20 x2

D8 x2

D10 x2



11

x4

