


**STANLEY**

**STANLEY**

77-401

# IntelliEye™ Laser Detector

## INSTRUCTION MANUAL

-  **WARNING:** Protect Your Eyes Wear Safety Goggles  
**AVERTISSEMENT:** Protégez vos yeux, portez des lunettes de sécurité.  
**ADVERTENCIA:** Protéjase los ojos, use gafas de seguridad

One Year Warranty  
Garantie de un an  
Garantía de un año

©1999 Stanley Tools Product Group of  
The Stanley Works, New Britain, CT 06053

T4997



# IntelliEye™ (77-401) Laser Detector

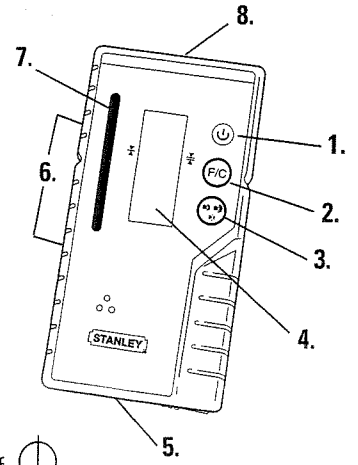
The IntelliEye™ Laser Detector increases the versatility of the IntelliBeacon® by enabling the operator to extend the usable range of the unit. With the detector the unit can be readily used outdoors and has a range of up to 1000' (300m) in diameter. It features dual LCD displays, magnetic mount and comes with its own mounting bracket. When using the laser detector, the IntelliBeacon® must be in "laser point" mode and rotating at sufficient speed.

**The receiver cannot detect the chalk line beam.**

### Specifications

Operating distance	1,000 feet (300 meters) diameter
Fine mode	+/- 0.02" (+/- 0.5 mm)
Coarse mode	+/- 0.08" (+/- 2 mm)
Detection window	2-1/2" (6 cm)
Displays	LCD (front and back)
Battery	9V alkaline Approx. 50 hour life
Sound Volume	High, normal and mute
Weight	1/2 lb. (215 gr.)
Dimensions	3" x 6" x 1" (7 x 14.5 x 2.5 cm)

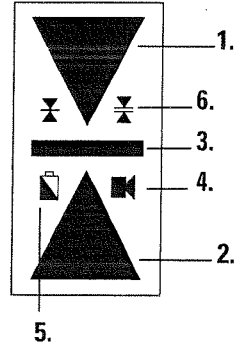
Specifications are subject to change without notice.



- 1- On/Off
- 2- Coarse/fine mode
- 3- Sound: high, low or mute
- 4- LCD display
- 5- Battery location
- 6- Slots for remote control or bracket attachment
- 7- Detection window
- 8- Magnetic mount

### LCD Display

- 1- Lower the detector
- 2- Raise the detector
- 3- Level
- 4- Sound: high, low or mute
- 5- Low battery indicator
- 6- Coarse/fine mode



## How To Use Your Laser Detector

1. Turn the detector on.
2. Press the F/C button to select the detection mode (fine or coarse). A symbol appears either on the right or left side of the LCD, displaying which mode was selected.
3. Press the sound button to select the level of sound. Default mode is mute. The sound symbol will blink when you select normal loudness. It will be constant when you select high. No symbol indicates the mute mode.
4. Turn the reception window towards the laser beam and move the detector up or down, following the arrows on the LCD.  

When a horizontal line appears at the center of the screen, the receiver is at the same level as the laser beam. Use the notches on either side of the detector to mark your reference point.
5. The same information can be viewed in the LCD visible on the back of the detector.
6. If the detector is not used for 3-5 minutes, it will automatically turn off. Or, press the on/off button to turn it off.
7. To replace the battery, slide the cover on the bottom of the detector to the left. Position replacement battery so that minus polarity (-) faces the outer wall of the detector (the plus + is towards the middle of the detector).

Using the slots in the side of the detector the remote control can be attached to the detector for one piece operation. The detector can easily be attached to a rod with the snap-in mounting bracket.

## Warranty

The Stanley Works warrants the IntelliEye™ against defects in material and workmanship for 1 year from the date of purchase. Deficient products will be repaired or replaced at Stanley's discretion if sent to:

The Stanley Works  
Repair Department  
480 Myrtle Street  
New Britain, CT 06053 USA

Stanley's liability under this warranty is limited to repair or replacement of the unit. Any attempt to repair the product by other than factory authorized personnel will void this warranty. Calibration, batteries and maintenance are the responsibility of the user. Where permitted by law, Stanley is not responsible for incidental or consequential damages. Agents of Stanley cannot change this warranty. Stanley is not responsible for damage resulting from wear, abuse or alteration of this product. The user is expected to follow ALL operating instructions.

This warranty may provide you with additional rights that vary by state, province or nation.