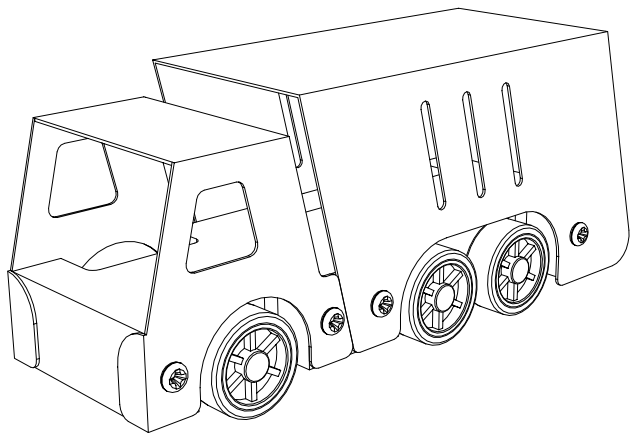


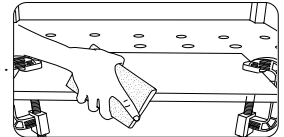
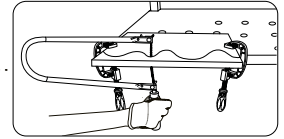
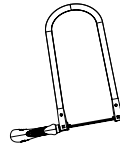
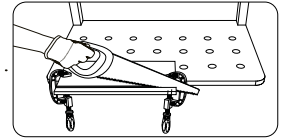
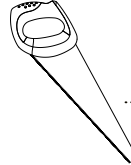
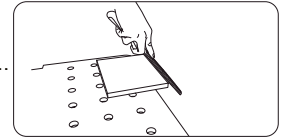
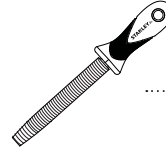
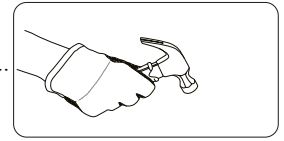
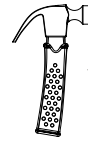
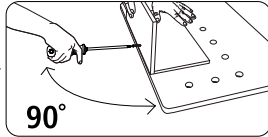
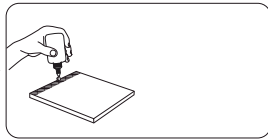
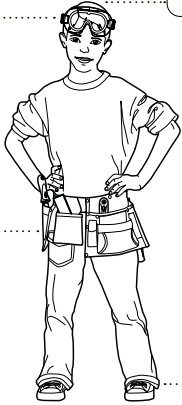
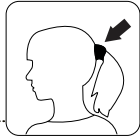
STANLEY® Jr.



5+

Recycling Truck Kit

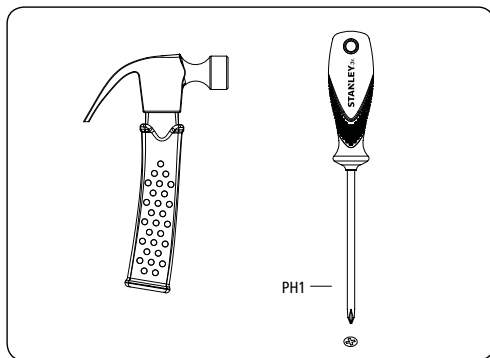
ASSEMBLY INSTRUCTIONS



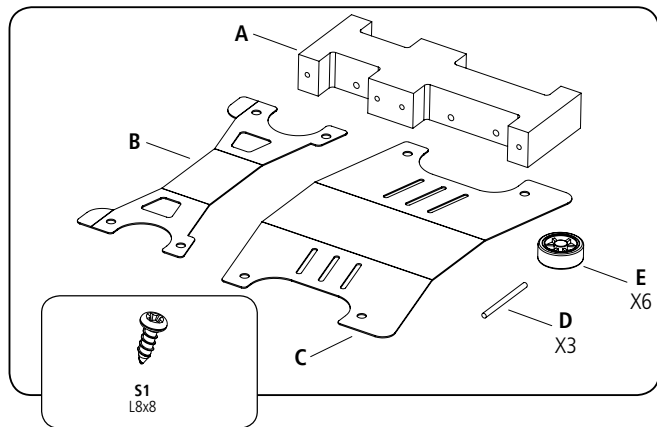
Parental guidance and direct supervision required at all times.

ASSEMBLY INSTRUCTIONS

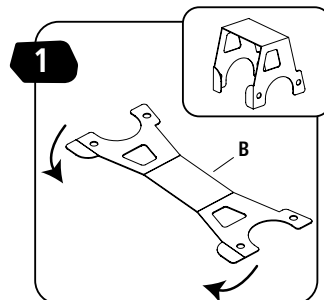
30min



PH1

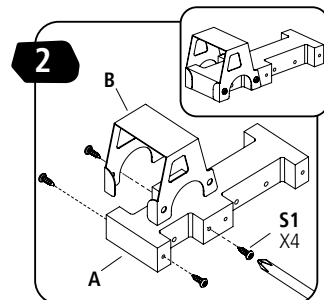


S1
L8x8



1

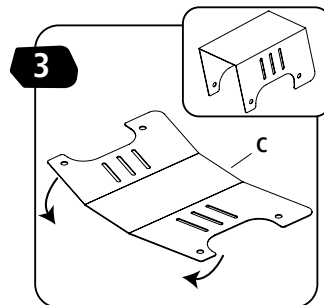
B



2

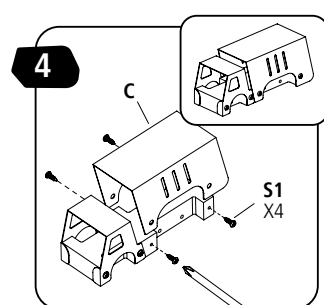
B

S1
X4



3

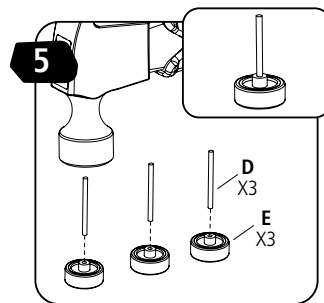
C



4

C

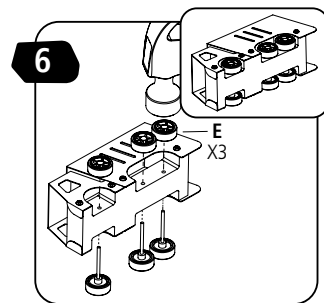
S1
X4



5

D
X3

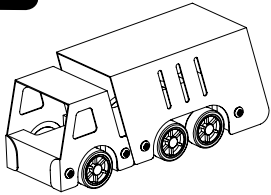
E
X3



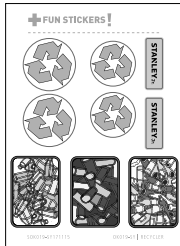
6

E
X3

7



8



STANLEY® Jr.

©2016 Stanley Black & Decker, Inc.
The STANLEY Jr. and STANLEY Jr. logo are trademarks of Stanley Black & Decker, Inc. or an affiliate thereof and are used under license.

Products are manufactured by:

Red Tool Box Ltd.
4th Floor, #1 Building
655-77 Qiming Road
Investment & Business
Incubation Center, Yinzhou, Ningbo
315055, Zhejiang, China



WARNING: CHOKING HAZARD—Small parts.
Not for children under 3 years.



CAUTION: FUNCTIONAL SHARP POINTS AND EDGES.
Use with care. Adult Supervision Recommended.

